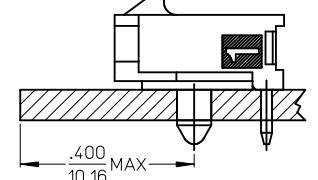
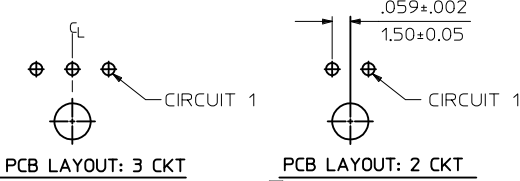
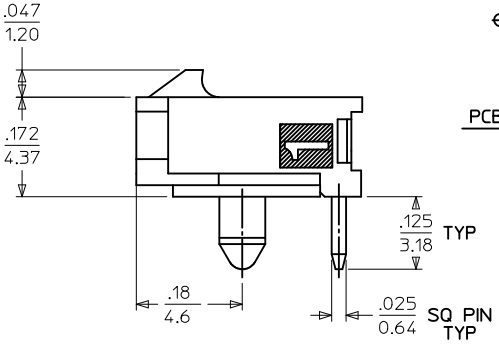
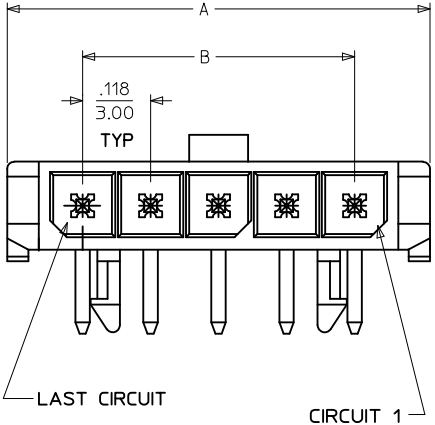


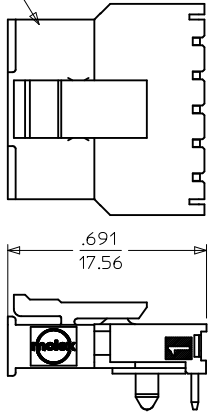
PCB LAYOUT: COMPONENT SIDE
RECOMMENDED PCB THICKNESS: .062/157
4-12 CIRCUIT HEADERS



LOCATION DETAIL (SEE NOTE #6)

CKTS	A	B	C
2	.380 9.65	.118 3.00	NA
3	.498 12.65	.236 6.00	NA
4	.616 15.65	.354 9.00	.185 4.70
5	.734 18.64	.472 12.00	.303 7.70
6	.852 21.64	.591 15.00	.421 10.70
7	.970 24.64	.709 18.00	.539 13.70
8	1.088 27.64	.827 21.00	.657 16.70
9	1.206 30.63	.945 24.00	.776 19.70
10	1.325 33.66	1.063 27.00	.894 22.70
11	1.443 36.65	1.181 30.00	1.012 25.70
12	1.561 39.65	1.299 33.00	1.130 28.70

RECEPTACLE #43645



MATED MICRO FIT CONNECTOR

CKTS	FINISH A		FINISH B		FINISH C		FINISH D	
	MATERIAL NO:	VOID CKT#	MATERIAL NO:	VOID CKT#	MATERIAL NO:	VOID CKT#	MATERIAL NO:	VOID CKT#
02	43650-0200	N/A	43650-0201	N/A	43650-0202	N/A	43650-0237	
03	43650-0300	N/A	43650-0301	N/A	43650-0302	N/A		
04	43650-0400	N/A	43650-0401	N/A	43650-0402	N/A		
05	43650-0500	N/A	43650-0501	N/A	43650-0502	N/A		
06	43650-0600	N/A	43650-0601	N/A	43650-0602	N/A		
07	43650-0700	N/A	43650-0701	N/A	43650-0702	N/A		
08	43650-0800	N/A	43650-0801	N/A	43650-0802	N/A		
09	43650-0900	N/A	43650-0901	N/A	43650-0902	N/A		
10	43650-1000	N/A	43650-1001	N/A	43650-1002	N/A		
11	43650-1100	N/A	43650-1101	N/A	43650-1102	N/A		
12	43650-1200	N/A	43650-1201	N/A	43650-1202	N/A		
09	43650-1900	02, 04, 05						

NOTES:

- HOUSING MATERIAL: LIQUID CRYSTAL POLYMER, GLASS FILLED, UL94V-0, COLOR - BLACK
TERMINAL MATERIAL: BRASS ALLOY
- FINISH:
A = .000100/(0.00254) MIN. BRIGHT TIN OVER .000050/(0.00127) MIN. NICKEL
B = .000015/(0.00038) MIN. SELECT GOLD IN CONTACT AREA .000100/(0.00254) MIN. SELECT MATTE TIN ON SOLDER TAILS BOTH OVER .000050/(0.00127) NICKEL OVERALL
C = .000030/(0.00076) MIN. SELECT GOLD IN CONTACT AREA .000100/(0.00254) MIN. SELECT MATTE TIN ON SOLDER TAILS BOTH OVER .000050/(0.00127) NICKEL OVERALL
D = .000100/(0.00254) MIN. MATTE TIN OVER .000050/(0.00127) MIN. NICKEL
- PRODUCT SPECIFICATION: PS-43650
- TRAY PACKAGED : SEE MOLEX DRAWING PK-70873-0321
- MATES WITH MICRO FIT (3.0) RECEPTACLE SERIES 43645
- TO AVOID INTERFERENCE BETWEEN RECEPTACLE AND PCB, HEADER MUST BE PLACED WITHIN .400/(10.16) MAX. FROM EDGE OF PCB, AS SHOWN IN LOCATION DETAIL.
- PARTS CONFORM TO CLASS 'B' REQUIREMENTS OF COSMETIC SPECIFICATION PS-45499-002.

ADD 43650-1900	2011/04/13	QUALITY SYMBOLS
EC NO: UCP2011-3175	DRW:MMSTROH	▽=0
CHKD:SSOUSEK	2011/04/18	▽=0
APPR:FSMLTH	2011/05/02	
REV	DESCRIPTION	
D2		

GENERAL TOLERANCES (UNLESS SPECIFIED)

	mm	INCH
4 PLACES ±	---	---
3 PLACES ±	---	±.010
2 PLACES ±	0.25	±.014
1 PLACE ±	0.35	±---
ANGULAR ±1/2°		

DRAFT WHERE APPLICABLE
MUST REMAIN WITHIN DIMENSIONS

DIMENSION STYLE IN/MM

DRAWN BY SAMIEC DATE 2000/07/07

CHECKED BY MUELLER DATE 2000/07/07

APPROVED BY EDGLEY DATE 2000/07/07

MATERIAL NO. SEE CHART

SCALE --- METRIC

DESIGN UNITS METRIC

THIRD ANGLE PROJECTION

TITLE MICRO-FIT (3.0)
SINGLE ROW / RIGHT ANGLE
THRU HOLE / PEGS / TRAY

MOLEX MOLEX INCORPORATED

DOCUMENT NO. SD-43650-001

SHEET NO. 1 OF 1

THIS DRAWING CONTAINS INFORMATION THAT IS PROPRIETARY TO MOLEX INCORPORATED AND SHOULD NOT BE USED WITHOUT WRITTEN PERMISSION